

# MODULA SCANNER

Modular Solution for Stud, Bolt and Face Scanning



**CREO Engineering Solutions**  
34 Rutherford Road  
Southfield Industrial Estate  
Glenrothes Fife KY6 2RT

[www.creosolutions.co.uk](http://www.creosolutions.co.uk)

t: +44 (0)1592 773300

e: [sales@creosolutions.co.uk](mailto:sales@creosolutions.co.uk)

**DESIGN  
PROTOTYPING  
MANUFACTURE**

# MODULA SCANNER

Modular Solution for Stud, Bolt and Face Scanning



## SCANNER CONFIGURATION GUIDE

### 1 Encoder Head

The encoder head incorporates a 1024 ppr optical encoder and internal cam (used to adjust the legs). The connection plate for the stud scanning attachment is driven by a through shaft connected to the knurled wheel at the top of the scanner, this is used to rotate the probe when producing the scan.

### 2 Stud Scanning Kit - 1 5/8" to 3" Studs

Kit includes 3 stainless steel legs with clip in rubber feet. The probe basket (holder) incorporates a spring plunger to ensure probe to face contact. Use Sonatest X2B & X3A / Olympus A5 probes.

### 3 Stud Scanning Kit - 1" to 1 1/2" Studs

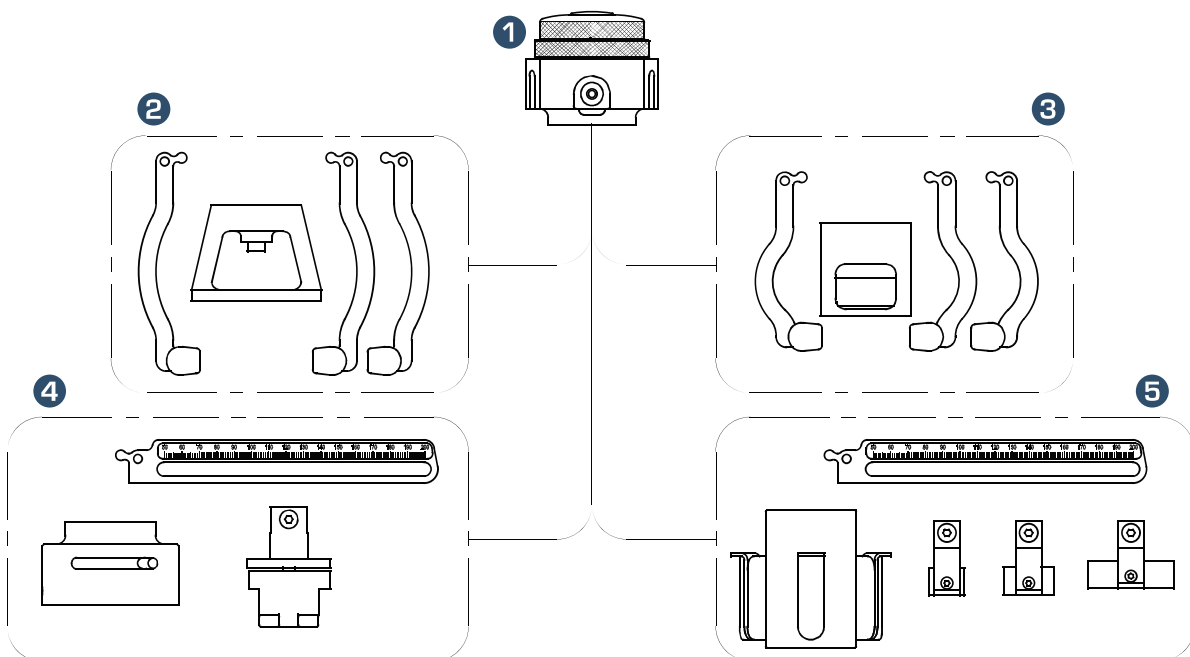
Kit includes 3 stainless steel legs with clip in rubber feet. Adjustable probe slide for probe offset, sprung pressure plate for constant probe contact. Use Sonatest X2A probe.

### 4 Face Scanning Kit - Magnetic Mount

Circumferential scanning where there is no centre hole or bore to mount the scanner. The probe holder has the ability to rotate allowing a skewed scan angle. Maximum scan diameter 400mm. Use Sonatest X2B / Olympus A5 probes.

### 5 Face Scanning Kit - Expanding Insert

Circumferential scanning using a centre hole or bore. Minimum bore dia 66mm, Maximum dia 90mm. Larger diameters can be catered for by swapping out the bore shoes for deeper versions. Maximum scan diameter 400mm. Use Sonatest X2A, X2B & X3A / Olympus A5 probes.



**CREO Engineering Solutions**  
34 Rutherford Road  
Southfield Industrial Estate  
Glenrothes Fife KY6 2RT

[www.creosolutions.co.uk](http://www.creosolutions.co.uk)

t: +44 (0)1592 773300

e: [sales@creosolutions.co.uk](mailto:sales@creosolutions.co.uk)

**DESIGN  
PROTOTYPING  
MANUFACTURE**

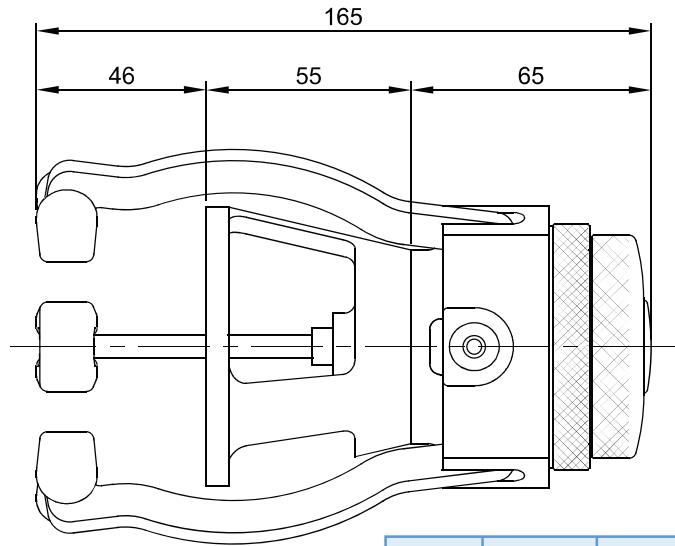
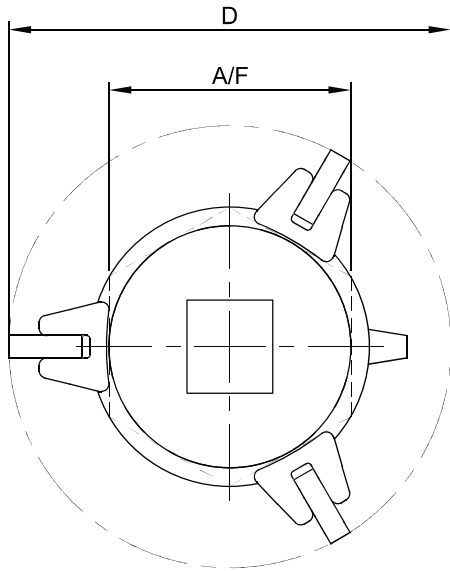
# MODULA SCANNER

Modular Solution for Stud, Bolt and Face Scanning



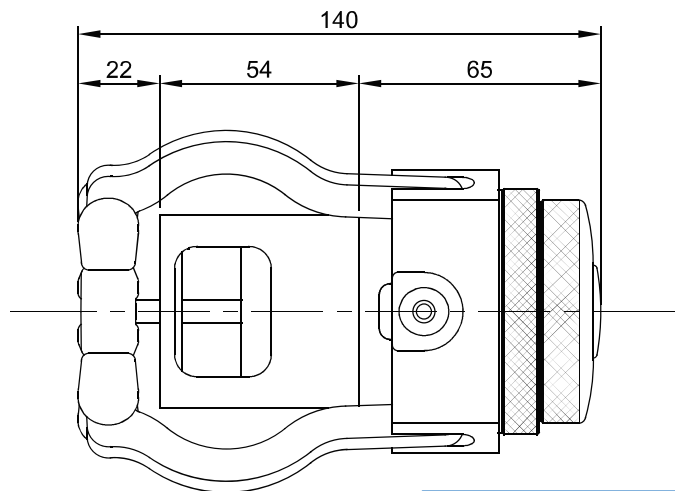
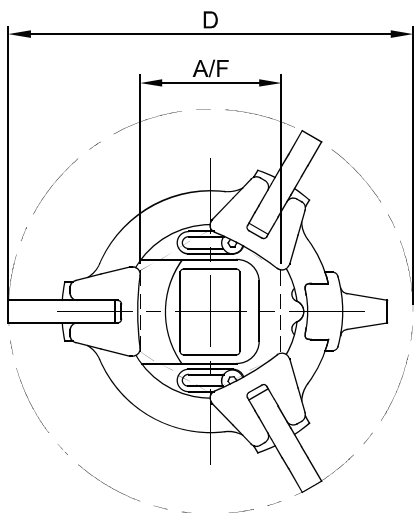
## SCANNER CONFIGURATION DETAIL - STUD SCANNING APPLICATIONS

### 2 Stud Scanning Kit - 1 5/8" to 3" Studs



Dim	Min	Max
A/F	62mm	118mm
D	117mm	165mm

### 3 Stud Scanning Kit - 1" to 1 1/2" Studs



Dim	Min	Max
A/F	30mm	65mm
D	103mm	125mm



**CREO Engineering Solutions**  
 34 Rutherford Road  
 Southfield Industrial Estate  
 Glenrothes Fife KY6 2RT

[www.creosolutions.co.uk](http://www.creosolutions.co.uk)

t: +44 (0)1592 773300

e: [sales@creosolutions.co.uk](mailto:sales@creosolutions.co.uk)

**DESIGN  
 PROTOTYPING  
 MANUFACTURE**

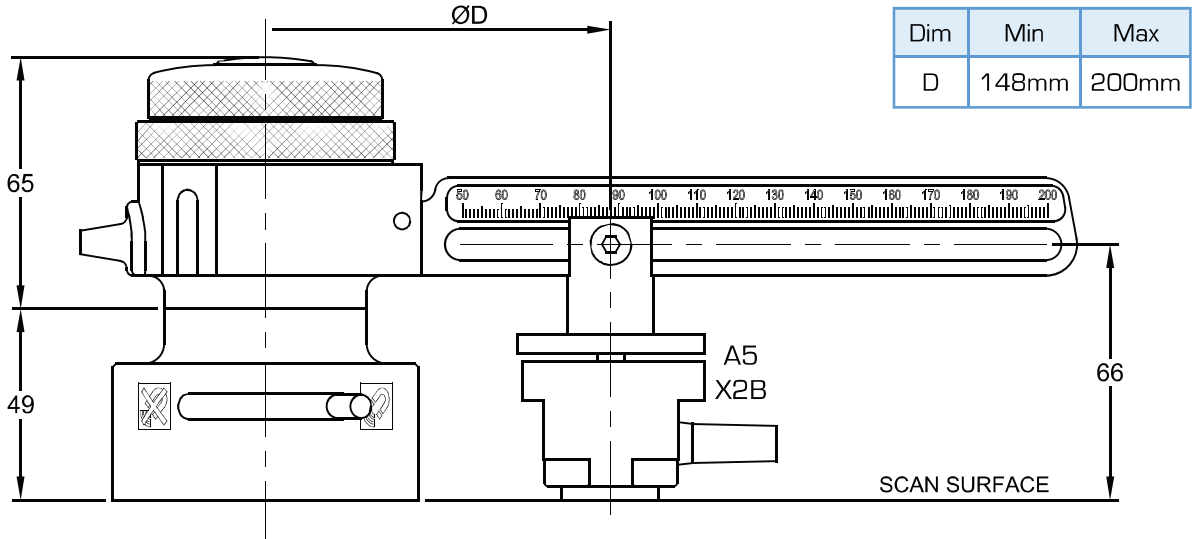
# MODULA SCANNER

Modular Solution for Stud, Bolt and Face Scanning

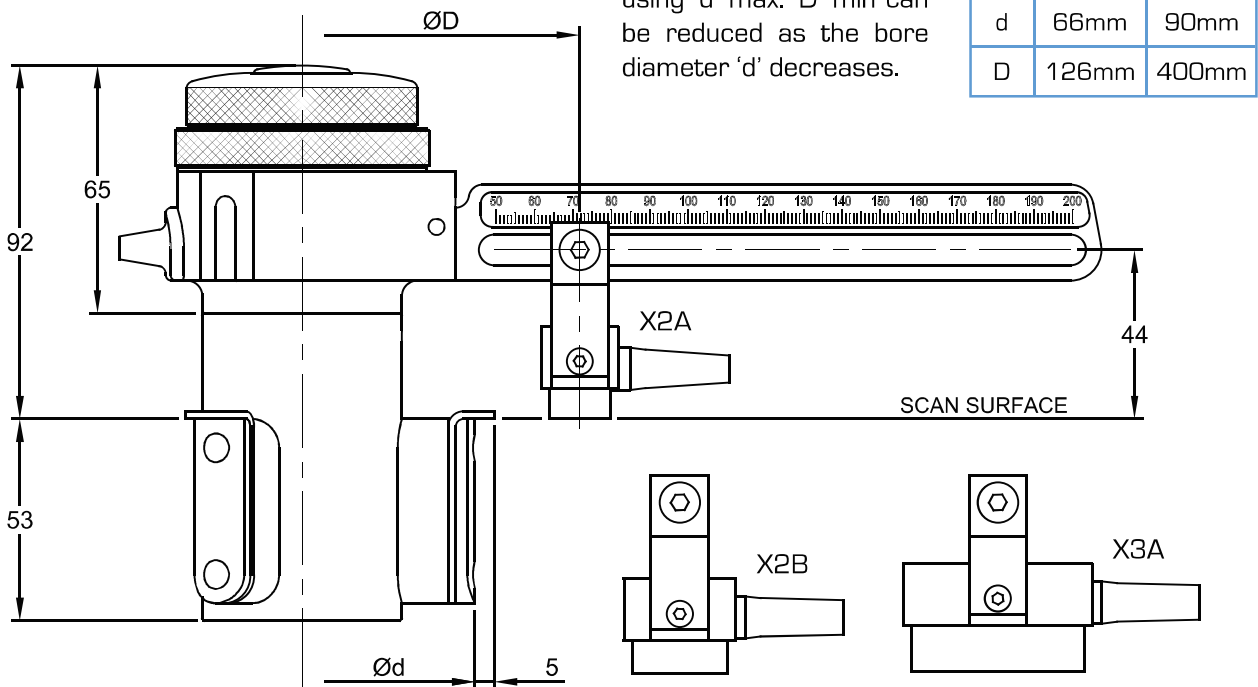


## SCANNER CONFIGURATION DETAIL - FACE SCANNING APPLICATIONS

### 4 Face Scanning Kit - Magnetic Mount



### 5 Face Scanning Kit - Expanding Insert



OLYMPUS A5 HOLDER ALSO AVAILABLE



**CREO Engineering Solutions**  
34 Rutherford Road  
Southfield Industrial Estate  
Glenrothes Fife KY6 2RT

[www.creosolutions.co.uk](http://www.creosolutions.co.uk)

t: +44 (0)1592 773300

e: [sales@creosolutions.co.uk](mailto:sales@creosolutions.co.uk)

**DESIGN  
PROTOTYPING  
MANUFACTURE**

# MODULA SCANNER

Modular Solution for Stud, Bolt and Face Scanning



3 Stud Scanning Kit - 1" to 1 1/2" Studs



4 Face Scanning Kit - Magnetic Mount



5 Face Scanning Kit - Expanding insert



**CREO Engineering Solutions**  
34 Rutherford Road  
Southfield Industrial Estate  
Glenrothes Fife KY6 2RT

[www.creosolutions.co.uk](http://www.creosolutions.co.uk)

t: +44 (0)1592 773300  
e: [sales@creosolutions.co.uk](mailto:sales@creosolutions.co.uk)

**D E S I G N**  
**P R O T O T Y P I N G**  
**M A N U F A C T U R E**



**CREO**  
ENGINEERING  
SOLUTIONS

